

**Series 8, Built-in compact oven with microwave function, 60 x 45 cm, Black  
CMG7241B1B**



2 x combination grid, 1 x universal pan

HEZ327000 Pizza stone, HEZ530000 Half tray, HEZ531010 Baking tray, non-stick ceramic coated, HEZ532010 Universal pan, non-stick ceramic coated, HEZ617000 Pizza pan, enamelled, HEZ629070 Air Fry & Grill tray, HEZ631070 Baking tray, enamelled, HEZ632070 Multipurpose pan, enamelled, HEZ634000 Baking and roasting grid, HEZ636000 Glass pan, HEZ660050 Cover Strip, HEZ660060 Strip, HEZ664000 Baking and roasting grid, steam, HEZ915003 Glass roasting dish, 5,4 L

**The compact microwave oven with Digital Control Ring and TFT-touchdisplay: enables you to achieve perfect baking and roasting results very quickly. Home Connect for control via the App.**

- **Digital Control Ring:** simple and intuitive oven control.
- **TFT Touch Display:** intuitive control with the Digital Control Ring and TFT touchscreen.
- **2D Hotair:** even heat distribution for perfect results on one level.
- **Oven Assistant with Voice Control:** easily set the right programme.
- **Automatic Switch-off:** stops cooking as soon as the dish is done.

Additional function: ..... Microwave combination  
 Type of control: ..... Electronic  
 Dimensions: ..... 455x594x548 mm  
 Cavity dimensions: ..... 237.0 x 480 x 392.0 mm  
 Length electrical supply cord: ..... 150.0 cm  
 Net weight: ..... 33.5 kg  
 Gross weight: ..... 35.8 kg  
 EAN code: ..... 4242005325948  
 Max. microwave power level: ..... 900 W  
 Connection rating: ..... 3600 W  
 Fuse protection: ..... 16 A  
 Voltage: ..... 220-240 V  
 Frequency: ..... 50 Hz  
 Plug type: ..... no plug (electrical connection by electrician)  
 Included accessories: ..... 2 x combination grid, 1 x universal pan



## **Series 8, Built-in compact oven with microwave function, 60 x 45 cm, Black CMG7241B1B**

**The compact microwave oven with Digital Control Ring and TFT-touchdisplay: enables you to achieve perfect baking and roasting results very quickly. Home Connect for control via the App.**

- 150 cm Cable Cable length
- Nominal voltage: 220 - 240 V
- Total connected load electric: 3.6 KW

### **Performance/technical information**

- Appliance dimension (hxwxh): 455 mm x 594 mm x 548 mm
- Niche dimension (hxwxh): 450 mm - 455 mm x 560 mm - 568 mm x 550 mm
- Please refer to the dimensions provided in the installation manual

### **Features**

- Compact oven with microwave with 16 heating methods: conventional top and bottom heat, full width variable grill, half width grill, bottom heat, plate warming, Conventional heat gentle, Circulating air, Microwave, Circulating air, Conventional heat, Full width grill, Half width grill, Hot air grilling
- Max. Power: 900 W; 5 Microwave power settings (90 W,180 W,360 W,600 W, boost) with Inverter (MW)
- Intelligent microwave inverter technology: For optimised results maximum output power will be regulated to 600 W when used in longer operation for gentler cooking.
- Temperature range 30 °C - 230 °C
- Cavity volume: 45 litre capacity

### **Level independent telescopic rails**

- 3 shelf positions

### **Design**

- Touch controls
- Digital Control Ring
- Cavity inner surface: enamel anthracite

### **Cleaning**

- hydrolyse program

### **Programmes/functions**

- Oven Assistant with Voice Control
- BE61
- Electronic clock timer
- Digital temperature display with proposal
- Actual temperature display Heating-up indicator
- Drop down door, SoftClose, SoftOpen
- BoschAssist
- No
- LED light, Light on/off when oven door opened/closed
- Integral cooling fan
- Home Connect ready

### **Accessories**

- 2 x combination grid, 1 x universal pan

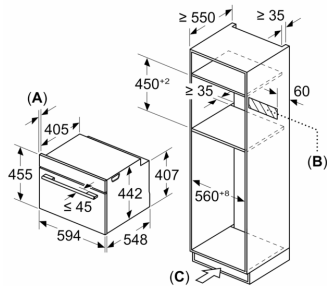
### **Features**

- Maximum window temperature 40° C
- Triple glazed door glazed CoolTouch door
- Control panel lock
- Automatic safety switch off Residual heat indicator Start button Door contact switch

### **Technical information**

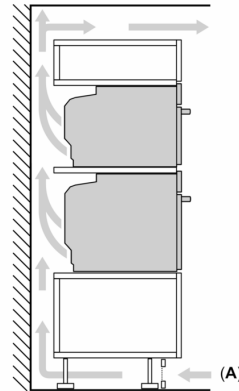
**Series 8, Built-in compact oven with  
microwave function, 60 x 45 cm,  
Black  
CMG7241B1B**

Measurements in mm

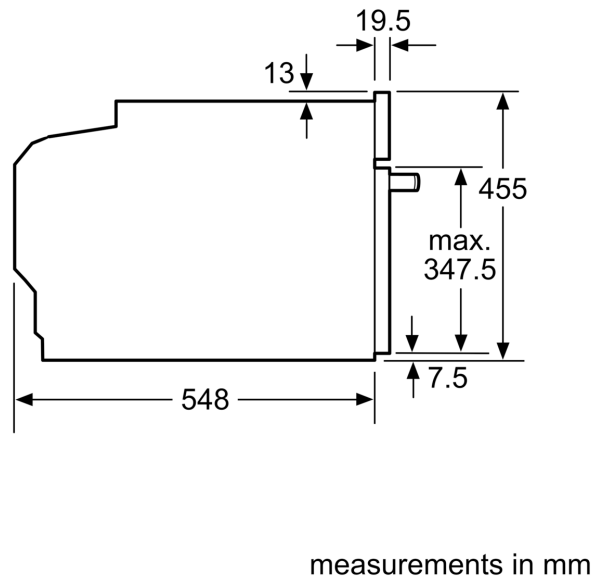
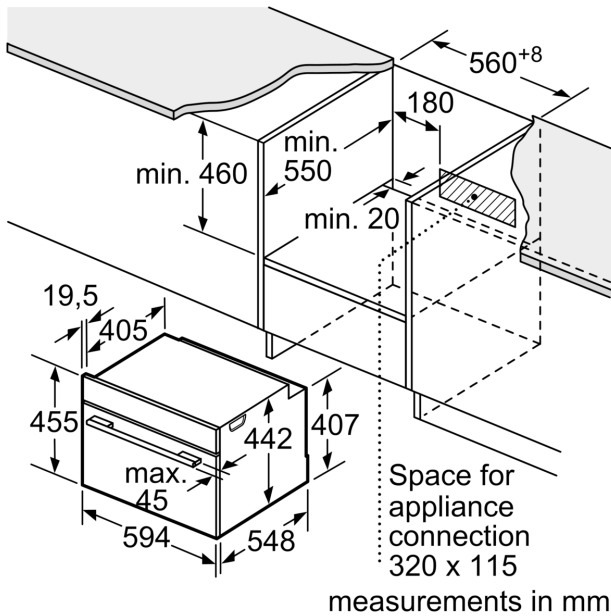


- A: 19.5 mm
- B: Space for appliance connection  
320 x 115 mm
- C: Ventilation space in the base  $\geq$   
200 cm<sup>2</sup>

**Installing two appliances on top of each  
other  
Air exchange**

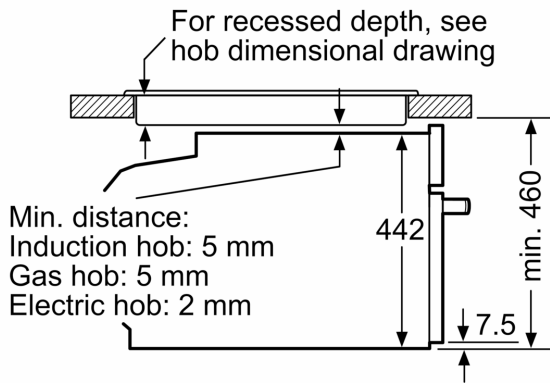


A: Air inlet  $\geq$  200 cm<sup>2</sup>



### Installation with a hob.

If the compact appliance will be installed underneath a hob, the following worktop thicknesses (including substructure if necessary) must be taken into account.



measurements in mm

Hob type	min. worktop thickness	
	fitted	flush
Induction hob	42 mm	43 mm
Full surface Induction hob	52 mm	53 mm
Gas hob	32 mm	43 mm
Electric hob	32 mm	35 mm