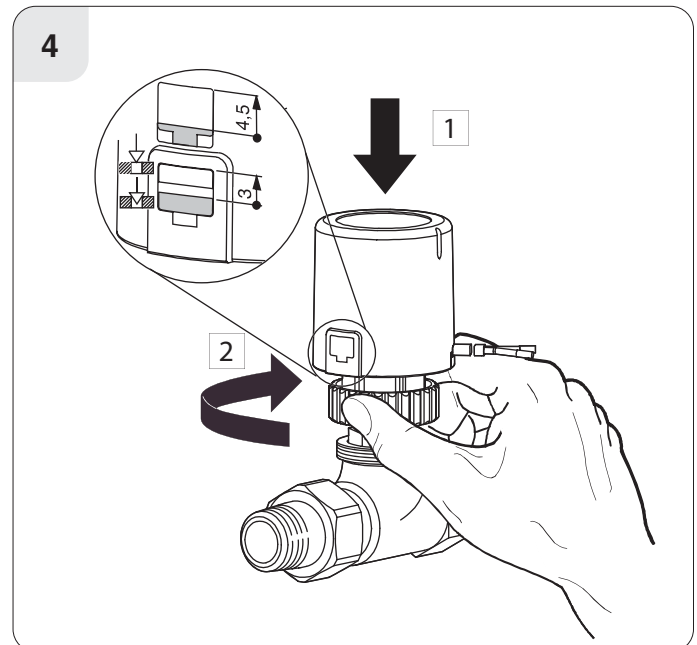
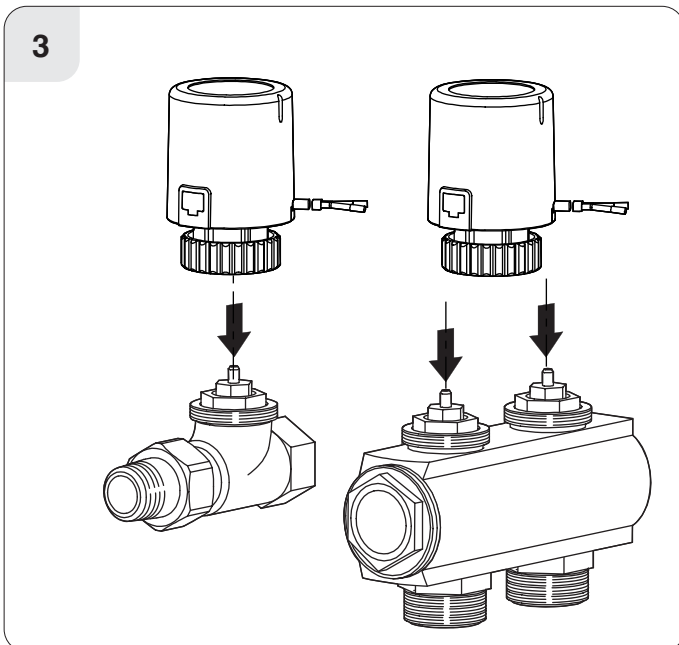
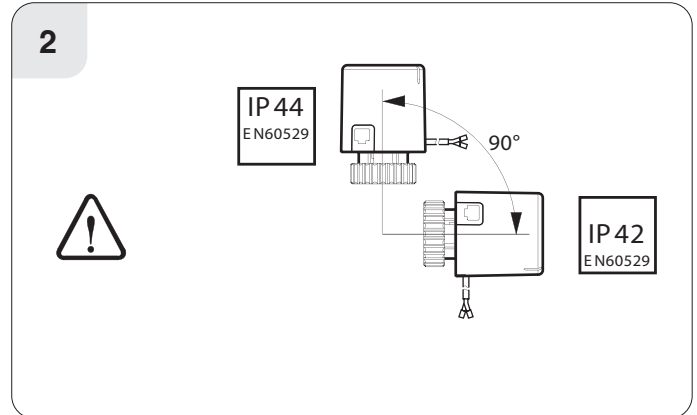
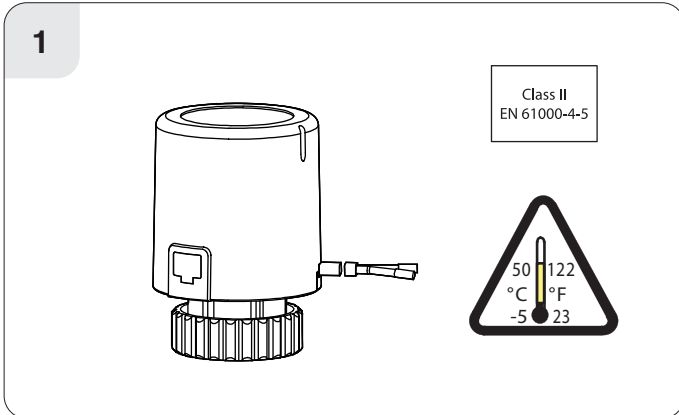




CAUTION! Do not use if cable is defective.

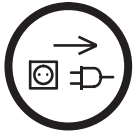
- Disconnect the power supply from any defective appliances.
- Factory setting is (NC) Normally Closed.
- Guidelines for the electrician; Level of contamination 2; As per EN60730.
- When changing from normally closed to normally open, live components are exposed. Therefore, disconnect the power when changing.



5

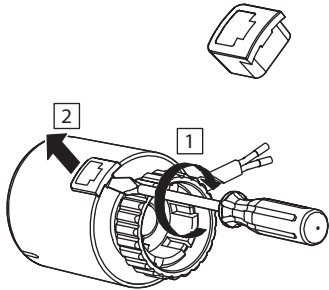
<p>TA230 - 230Vac TA24 - 24Vac</p>	<table border="0"> <tr> <td></td> <td style="text-align: center;">blue</td> <td style="text-align: center;">brown</td> </tr> <tr> <td></td> <td style="text-align: center;"> </td> <td style="text-align: center;"> </td> </tr> <tr> <td></td> <td style="text-align: center;">br</td> <td style="text-align: center;">bl</td> </tr> </table>		blue	brown					br	bl	<table border="0"> <thead> <tr> <th></th> <th>TA230</th> <th>TA24</th> </tr> </thead> <tbody> <tr> <td>Voltage</td> <td>230 V~</td> <td>24 V~</td> </tr> <tr> <td>Running time</td> <td>3,5 min.</td> <td>4,5 min.</td> </tr> <tr> <td>Stroke</td> <td>3,5 mm</td> <td>3,5 mm</td> </tr> <tr> <td>Spring pressure</td> <td>125 N</td> <td>125 N</td> </tr> <tr> <td>Power consumption</td> <td>2,5 W</td> <td>3 W</td> </tr> <tr> <td>Inrush Current</td> <td><550 mA (max. 100ms)</td> <td><1400 mA (max. 2mins)</td> </tr> <tr> <td>Operating Current</td> <td><200 mA</td> <td><300 mA</td> </tr> </tbody> </table>		TA230	TA24	Voltage	230 V~	24 V~	Running time	3,5 min.	4,5 min.	Stroke	3,5 mm	3,5 mm	Spring pressure	125 N	125 N	Power consumption	2,5 W	3 W	Inrush Current	<550 mA (max. 100ms)	<1400 mA (max. 2mins)	Operating Current	<200 mA	<300 mA
	blue	brown																																	
	br	bl																																	
	TA230	TA24																																	
Voltage	230 V~	24 V~																																	
Running time	3,5 min.	4,5 min.																																	
Stroke	3,5 mm	3,5 mm																																	
Spring pressure	125 N	125 N																																	
Power consumption	2,5 W	3 W																																	
Inrush Current	<550 mA (max. 100ms)	<1400 mA (max. 2mins)																																	
Operating Current	<200 mA	<300 mA																																	

6

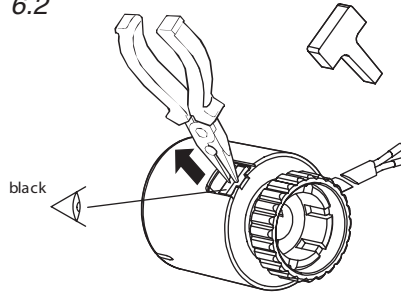


To set to (NO) Normally Open

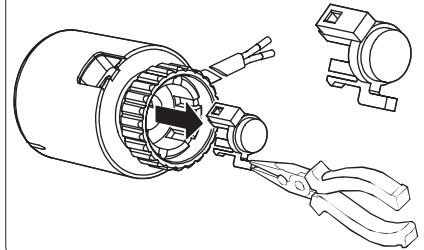
6.1



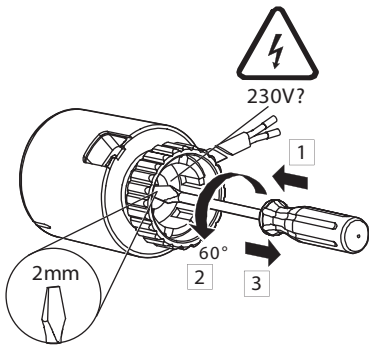
6.2



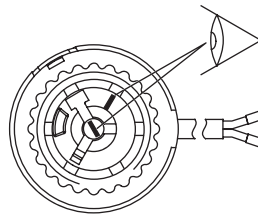
6.3



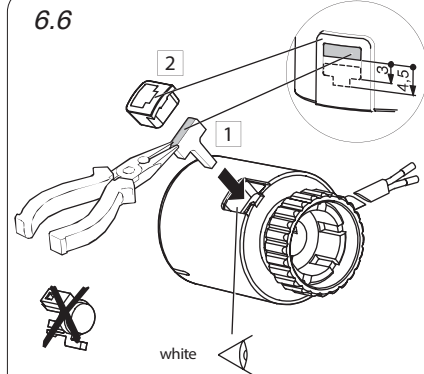
6.4



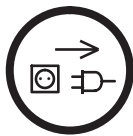
6.5



6.6

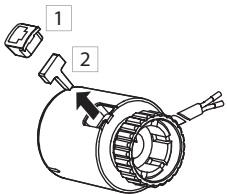


7

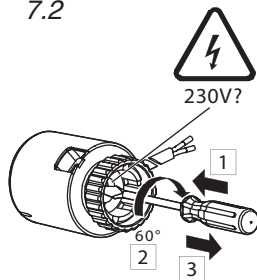


To reset to (NC) Normally Closed

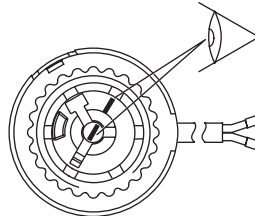
7.1



7.2



7.3



7.4

